

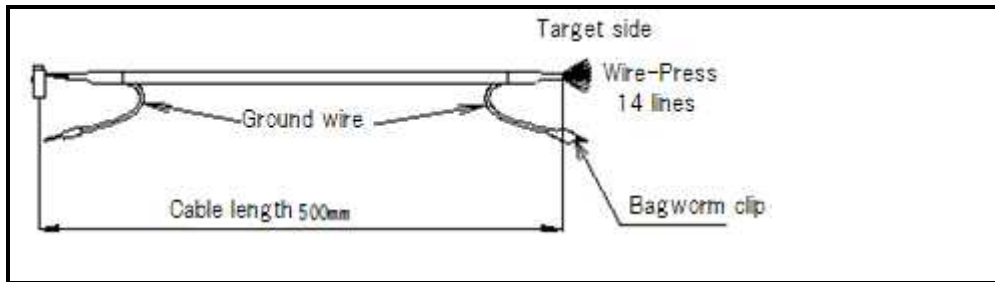
# Target Connection Cable for Serial Unit

Suisei Electronics System Co.,Ltd  
Second Edition issued Apr.2008

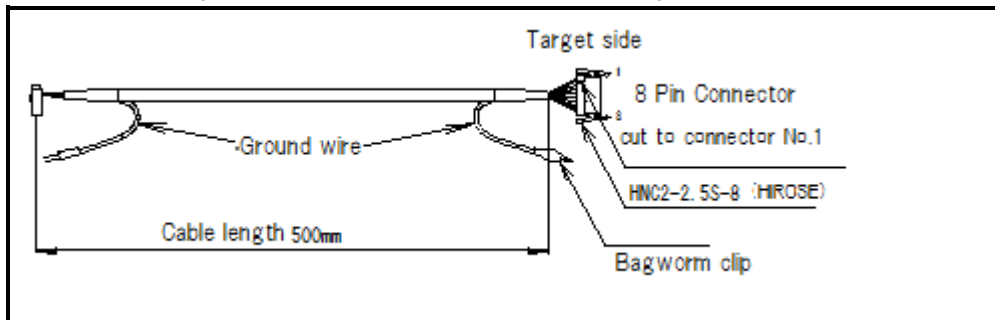
## 1. Target Connection Cable

External Figure of Target Connection Cable is shown as follows.

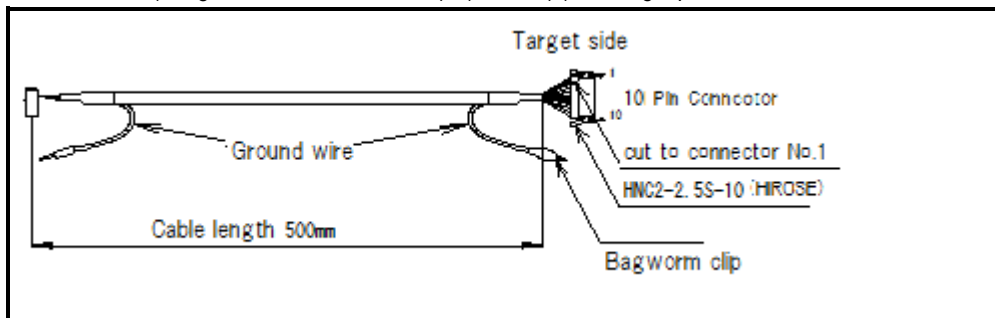
1. EF1TGCB-X (tip wire press cable) (An attached serial unit standard product)



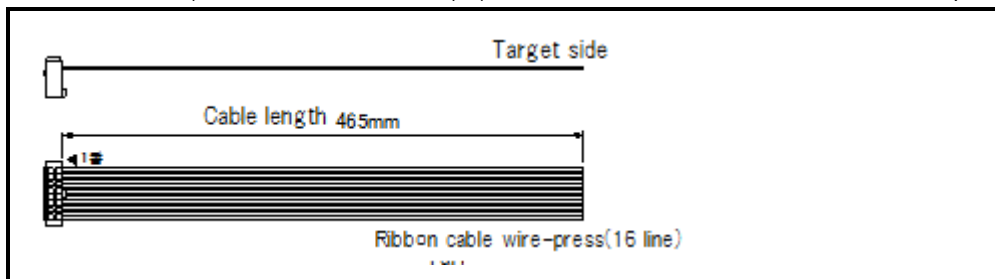
2. EF1TGCB-A (Target Connection Cable) (3-wire) (selling option)



3. EF1TGCB-B (Target Connection Cable) (4-wire)(selling option)



4. EF1TGCB-16WX (Wire-Press for EFP-RC) (EFP-RCAn attached serial unit standard product)



## 2. Target Connection Connector Pin list

Target connection connector Pin No.	Signal	Line color *4	MCU Connection Setting			
			3-wire *1	Pin No.	4-wire *1	Pin No.
	GND	Orange/Red 1	GND *3	-	GND *3	
	GND	Orange/Black 1				
	T_VPP *2	Gray/Red 1	VPP		Refer to Databook	
	T_VDD *2	Gray/Black 1	MCU VCC		MCU VCC	
	N.C.	-	-	-	-	-
	N.C.	-	-	-	-	-
	N.C.	White/Red 1	-	-	-	-
	T_PGM/OE/MD	White/black 1	PGM or OE		CNVSS	
	T_SCLK	Yellow/Red 1	SCLK		SCLK	
	T_TXD	Yellow/Black 1	SDA		RXD	
	T_RXD	Pink/Red 1			TXD	
	T_BUSY	Pink/Black 1	BUSY		BUSY	
	N.C.	Orange/Red 2	-	-	-	-
	T_RESET	Orange/Black 2	RESET		RESET	
	GND	Gray/Red 2	-		GND *3	
	GND	Gray/Black 2				

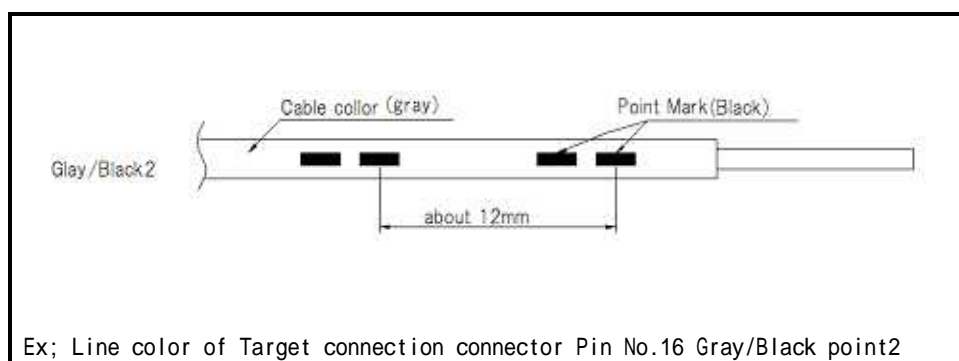
\*1 : 3-wire and 4-wire is classification of the serial writing method.

\*2 : Connection method of T\_VDD and T\_VPP change by MCU.

Please refer to a supplementary document or data book of MCU for the details.

\*3 : GND is 4 Pin. When it connected to Target Board, only 1 Pin does not have any problem even if connected, but recommends connection more than 2 Pin.

\*4 : It is shown as line-colored identification method in the figure.



\*4 How to see Line color