

EFXQZP-01-D

User's manual

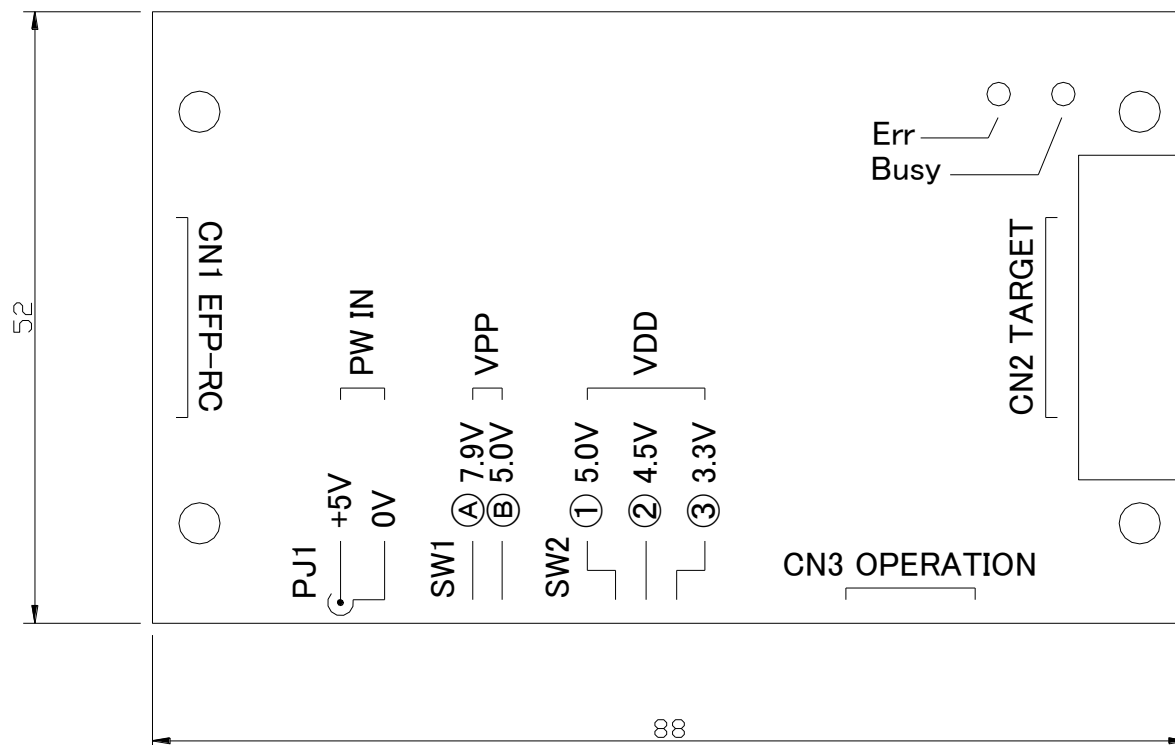
First edition 2012/ 1

Suisei Electronics System Co.,Ltd.

Manual contents

	Page
1. EFXQZP-01 Externals chart	2
2. EFP-RC/EFP-LC Connecting cable	3
3. Notes in handling	4
4. About the operation method	4
5. Connector table	5
Inquiry	6

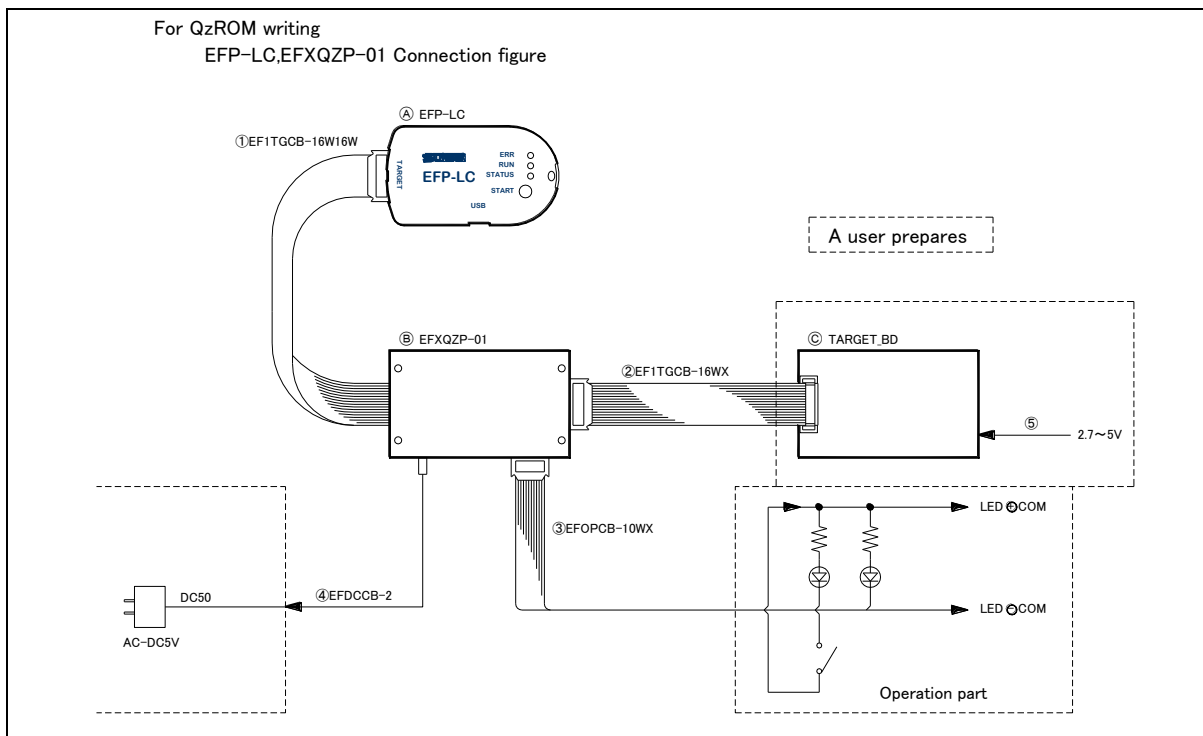
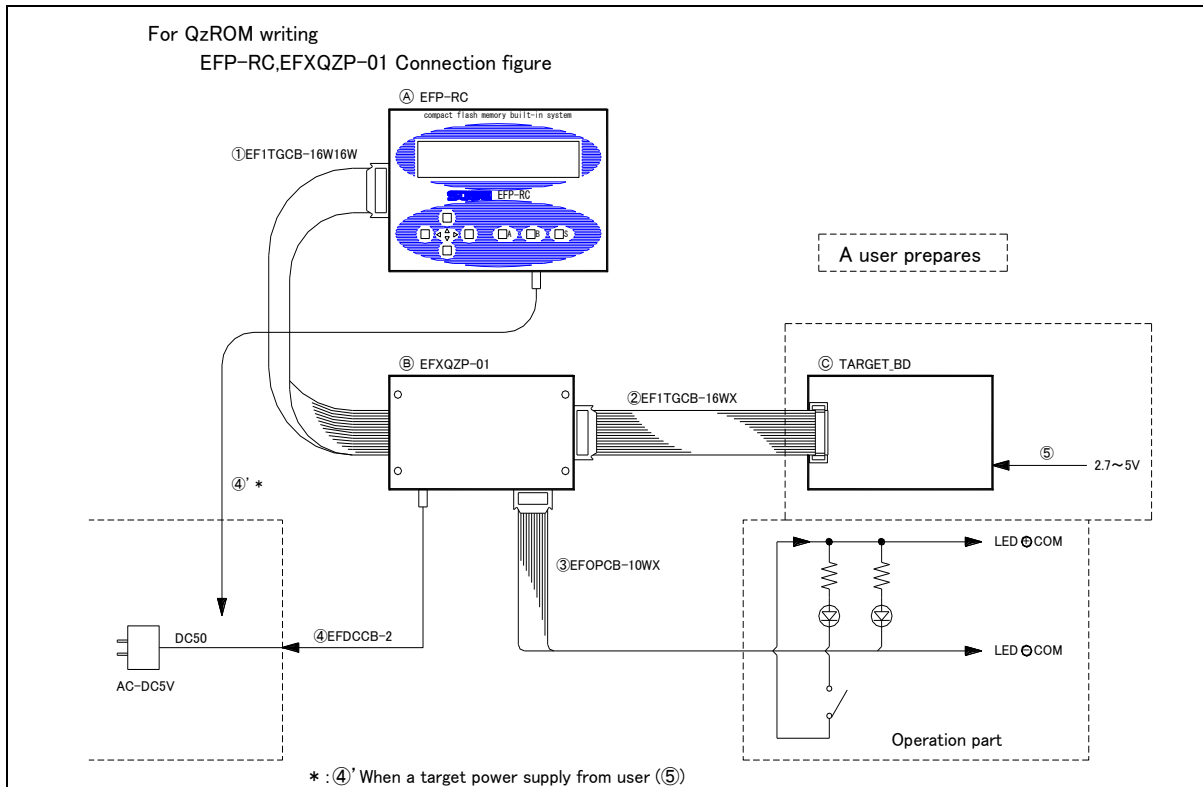
1. EFXQZP-01 Externals chart



Explanation of outline of each part

	Name	Outline
1	CN1	Connects with the target connector of EFP-RC/EFP-LC.
2	CN2	Connects with the serial writing connector of the target board.
3	CN3	Connects with the external operation part.
4	PJ1	1.3φpin connector for power(DC5V)supply. Outside GND and inside 5V
5	SW1	VPP voltage setting. (A) : Vpp=7.9V (setting when QzROM is written) (B) : Vpp=5.0V (setting when 8Bit_ND_FlashROM is written)
6	SW2	VDD voltage setting. (Please match it to the condition of MCU) (1) : VDD=5.0V (2) : VDD=4.5V (3) : VDD=3.3V
7	Err_LED	Result of command execution. When not normally ending, it lights. (Turn it off by the following operation.)
8	Busy_LED	It lights while executing the command. (Turn it off by the following operation.)

2. EFP-RC/EFP-LC Connecting cable.



2.1. General connection

- (1) EF1TGCB-16W16W : Connects CN1 of EFXQZP-01 and target CN of EFP-RC/EFP-LC.
- (2) EF1TGCB-16WX : Connects CN2 of EFXQZP-01 and target board.
- (3) EFOPCB-10WX : Connects CN3 of EFXQZP-01 and external operation part.
- (4) EFDCCB-02 : Connects PJ1 of EFXQZP-01 and power-supply unit (DC5V) .

2.2. Connection when supplying power to target board.

- (1) Same as 2.1 /(1)
- (2) Same as 2.1 /(2) However, it is a power supply in the target board. (2.7V~5.0V)
- (3) Same as 2.1 /(3)
- (4) EFDCCB-02 /(4) Connects Power-Jack of EFP-RC and Power-supply unit (DC5V) .

3. Notes in handling

3.1. About the power supply input.

- 1 : The power supply must use 【5V 500mA or more】
- 2 : When the current of 100mA or more flows to the target board, it is necessary to supply power-supply (2.7V~5.0V) to the target board side.

3.2. About the method of connecting the target board.

Please refer to the following manual for the method of connecting the target board.

- Connector table of clause 5.
- Manual of EF1SRP-01U/S2 serial unit.
- MCU support documentation.

3.3. About the operating switch

The operating switch that can be connected with this board is START_SW.
About START_SW, it is equal to the 'S' key of EFP-RC and START button of EFP-LC.
For details, please refer to EFP-RC operation manual and EFP-LC instruction manual.

4. About the operation method

- (1)SW1 : The VPP voltage is set.
 - (A) 7.9V (setting when QzROM is written)
 - (B) 7.3V (setting when 8Bit_ND_FlashROM is written)
- (2)SW2 : The VDD voltage is set.
 - 【Please give to the voltage of the target board additionally】
 - (1) 5.0V
 - (2) 4.5V
 - (3) 3.3V
- (3)Err display : When the result of the command execution is not normal, it lights.
 - 【The same signal is output to CN3 in photocoupler
(When making an error : turn on)】
- (4)Busy display : It lights while executing the command.
 - 【The same signal is output to CN3 in photocoupler
(It is executing it : turn on)】
- (5)Start SW : Function equal to the 'S' key of EFP-RC and an START button of EFP-LC.
(short in GND : Turning on)

5. Connector table

5.1. CN1 EFP-RC/EFP-LC connection connector

	Signal name	IN/OUT	Explanation
1	GND		
2	(N.C)		
3	T_VPP	Input	Target writing power supply input
4	T_VDD	Output	Target power supply output
5	T_VPP2		Target writing power supply output 2
6	Error	Input	Error display signal
7	EX_Busy	Input	Busy display signal
8	T_PGM/OE	Input	Program writing reading pulse
9	T_SCLK	Input	Synchronous communications clock for target data transfer
10	T_TXD	Input	Serial transmission data for target
11	T_RXD	Output	Target serial receive data
12	T_Busy	Output	Target Busy signal
13	T_Start	Output	External start signal (CN3)
14	T_Reset	Input	Target reset control signal
15	(N.C)		
16	GND		

5.2. CN2 target board connection connector

	Signal name	IN/OUT	Explanation
1	GND *		
2	(N.C)		
3	T_VPP *	Output	Program writing power supply output
4	T_VDD *	In/Out	Target power supply output(or input)
5	T_VPP2		Program writing power supply output 2
6	(N.C)		
7	(N.C)		
8	T_PGM/OE*	Output	Program writing reading pulse
9	T_SCLK *	Output	Synchronous communications clock for target data transfer
10	T_TXD *	Output	Serial transmission data for target (RXD and connecting wires)
11	T_RXD *	Input	Serial receive data (TXD and connecting wires)
12	T_Busy	Input	Target Busy signal
13	(N.C)		
14	T_Reset *	Output	Target reset control signal
15	(N.C)		
16	GND *		

* is attached to the signal used for QzROM writing.

(GND, T_VPP, T_VDD, T_PGM/OE, T_SCLK, SDA/T_TXD/T_RXD, T_Reset)

5.3. Operation Part Connector

	Signal name	IN/OUT	Explanation
1	EX_Busy	Output	Target Busy signal (ON : Com level Max50mA)
2	Com-	COM	
3	Error	Output	Error display signal (ON : Com level Max50mA)
4	Com-	COM	
5	GND		
6	GND		
7	(S,P1)	Input	
8	(S,P2)	Input	
9	Start	Input	Command start signal (ON : GND level)
10	GND		

- * An output 1-2 and 3-4 are photo-coupler open collector outputs.
- * An input 9-10 is short and is set to being turned on.

5.4. Power Supply Input Connector

	Signal name	IN/OUT	Explanation
Besides	OV	Input	OV input
Inside	VIN_Ext	Input	4.7V ~ 5.5V input

Inquiry

Suisai Electronics System Co.,Ltd.
 5-24 Tsurumi 6-chome, Tsurumi-ku, Osaka Japan
 Post-code 538-0053
 Phone : +81-6-6913-4531
 FAX : +81-6-6913-4534
 URL : <http://www.suisai.co.jp>
 E-mail : support@suisai.co.jp